

# The compact one

## Chlorine dioxide system EASYZON® 5



### The compact solution

Chlorine dioxide is widely accepted as an effective oxidant in water treatment and is used for a range of purposes including the prevention of Legionella.

Chlorine dioxide has a high disinfectant effect. It is even effective with high pH values which would render chlorination ineffective. The odour threshold of chlorine dioxide is higher than that of chlorine and it has a longer usage life in tap water. Chlorine dioxide is thus much better suited for use in complicated piping.

EASYZON 5 is a compact system for local and highly stable production of chlorine dioxide. The concentrated basis solution is generated locally and is still effective after a storage time of 24h.

### The correct dosage of disinfection

The system works in batch mode in accordance with the acid-chlorite procedure and uses conventional concentrations of hydrochloric acid and sodium chlorite. Optimal reaction conditions are ensured via the filling level control and the agitator in the reactor.

Peristaltic pumps ensure reliable conveyance of the chemicals. Every process step is monitored by the control. If necessary, this also monitors the ambient air using an optional ClO<sub>2</sub> ambient air sensor.

An optimised reaction procedure enables the production of a very stable chlorine dioxide solution which corresponds to the requirements of DIN EN 12671.

### Functions

- High product stability
- Compact, pre-assembled unit
- Integrated monitoring of all functions
- Full availability
- Supply of multiple injection points from one system

### Scope of delivery

EASYZON 5 is mounted on a wall station using the following components:

- Control unit with peristaltic pumps
- Reactor
- Solenoid valve
- Product tank
- Activated carbon cartridge
- MAGDOS LK 4 dosing pump (dosing pressure max. 8 bar) for chlorine dioxide solution
- Back-pressure and pressure relief valve
- Pulsation dampener

The standard scope of delivery includes 2 suction lines (630 mm, including connection hose) for extracting chemicals from the commercial containers.

## Technical data

Production capacity	5 g ClO <sub>2</sub> /h	
Product concentration	2 g ClO <sub>2</sub> /l	
Weight with filled tank	approx. 32 kg	
Operating voltage	230 V 50/60 Hz	
Protection class	IP65	
Power consumption	max. 100 W	
Alarm relay (two-way contact)	max. 230 V/ 3 A	
operating temperature	10 – 40 °C	
Utilisable volume of the product tank	5700 ml	
Service life of the ClO <sub>2</sub> solution at a storage temperature of 15 °C	> 24 hours	
Chemicals used	Hydrochloric acid	9 % in accordance with EN 939
	Sodium chlorite	7.5 % in accordance with EN 938
Dilution water in drinking water quality	max. 5 l/h 1 – 5 bar	

EASYZON is a system for the "in situ" production of the biocidal active agent "chlorine dioxide": In accordance with the biocide ordinance, as of 01/09/2015, the member states of the European Union may only use precursors for biocidal active agents produced "in situ" and which are used as disinfectants. These precursors must satisfy the quality requirements made of these substances by DIN EN and be sourced from a manufacturer or supplier listed in accordance with article 95 of the biocide ordinance. Please ask your supplier to confirm conformity with the biocide ordinance (certificate).

### Biocidal active agent:

Chlorine dioxide: EC-Nr. 233-162-8;  
CAS-Nr. 10049-04-4; DIN EN 12671

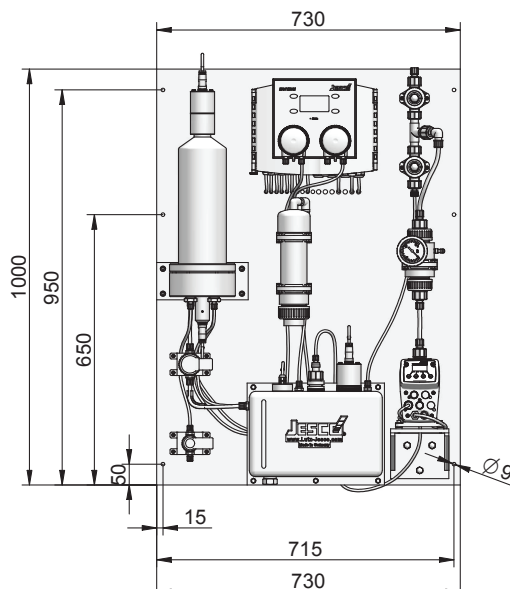
### Precursors:

Hydrochloric acid (9.0 %): EC Nr. 231-595-7;  
CAS-Nr. 7647-01-0; DIN EN: 939

sodium chlorite (7.5 %): EC-Nr. 231-836-6;  
CAS-Nr. 7758-19-2; DIN EN 938

## Dimensions

All dimensions in mm



Side view

## Accessories

- Additional dosing console for chlorine dioxide solution
- Photometer for water parameters
- Protective Equipment Kit
- ambient air sensor
- Catch basins
- Leakage sensors
- Injection nozzles
- ... and much more