

# The safe one

## EASYCHLORMIX – Simple & easy production of a hypochlorite solution



### Safe production of the hypochlorite solution

The CHC dosing station EASYCHLORMIX is a new and safe system for the production of a hypochlorite solution. The calcium hypochlorite (CHC), available as granulate in 25 l or 60 l packages is dissolved directly in normal water and then led to your process water via a special dosing pump from the MAGDOS series.

The packaging can be filled with water up to four times until the granulate reservoir has been exhausted and the packaging needs to be replaced.

### Easy handling

The EASYCHLORMIX operating principle makes the CHC granulate especially safe and easy to handle. The hypochlorite solution is produced dust-free directly in the delivery package without necessitating any human contact with the irritant substance. The hypochlorite solution is pumped from the packaging via a suction line connected to an aerator.

This produces an even and permanent supply of the solution. A large proportion of the calcium remains in the packaging; thereby producing an extremely low amount of suspended matter.

A pump from the tried-and-tested MAGDOS series ensures precise dosing of the disinfectant in the process water. This can be controlled directly via a measurement and control application such as the TOPAX controller.

Then the delivery package can be sealed and returned to the supplier for re-processing together with the residue.

### Functions

- Simple and safe handling of the calcium hypochlorite
- Low investment costs
- Small space requirements
- A protected pump bracket brings additional safety
- No liquid change or turning of the packaging necessary
- 25 l and 60 l delivery package available
- Packaging with UN approval for calcium hypochlorite
- Calcium hypochlorite of the highest quality
- Long-term storage stability
- The greatest proportion of the insoluble constituents remain in the packaging
- Low chlorate development even in disadvantageous storage conditions within the requirements of DIN 19643
- Complies with all the minimum requirements of the technical regulations

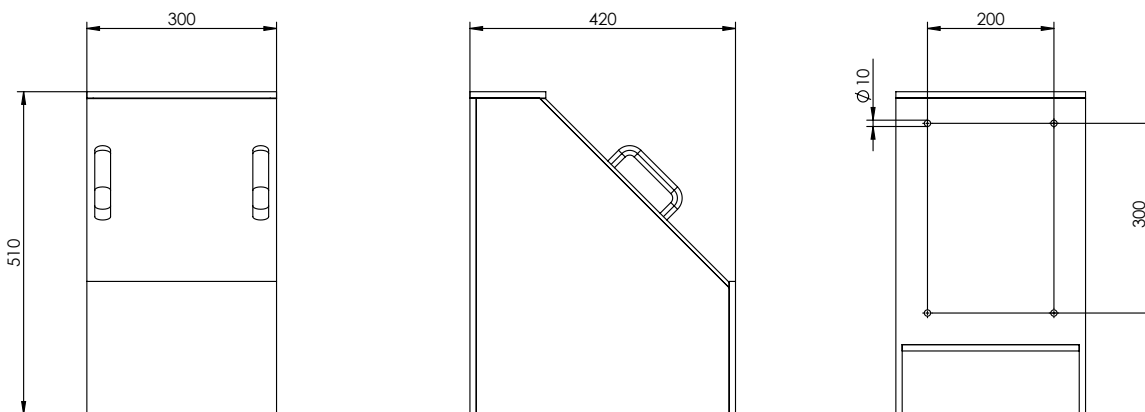
## Technical data

<b>EASYCHLORMIX</b>		<b>05</b>	<b>1</b>	<b>2</b>	<b>4</b>	<b>6</b>	<b>10</b>	<b>15</b>
Chlorine performance	g/h	33	67	159	246	383	524	713
Chlorine concentration	g/l	50 approx.						
Delivery capacity at c. 2 bar back pressure	l/h	0.661	1.337	3.171	4.914	7.669	10.48	14.26
Power consumption	W	8	13	19	25			
Voltage supply		230 V AC 50 Hz						
Protection class		IP65						
Ambient temperature	°C	5 – 40						
Adjustable dosing range	%	0 – 100						

## Dimensions

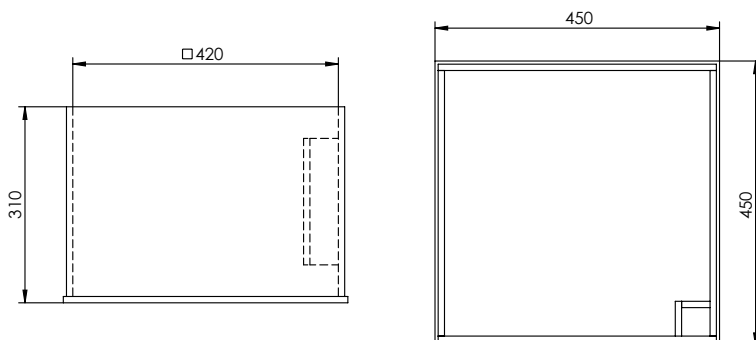
Dimensions of the pump bracket

All dimensions in mm

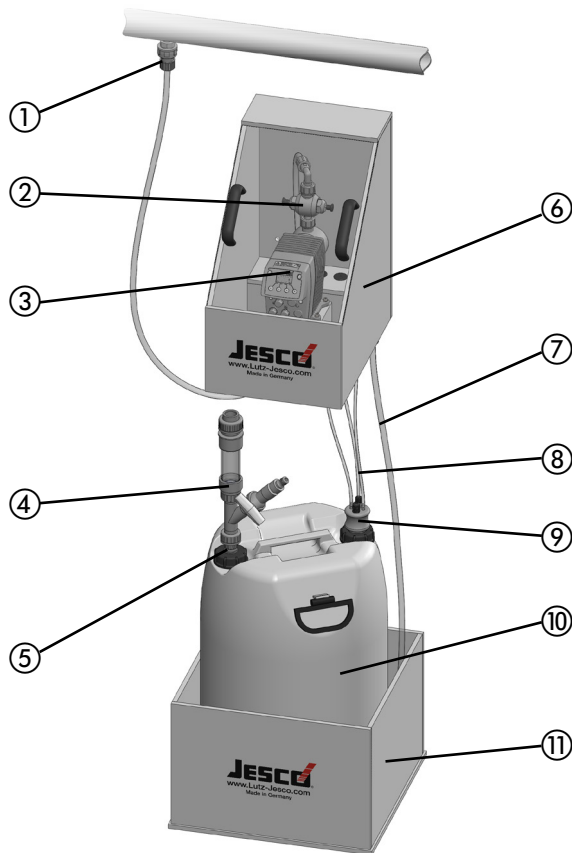


Dimensions of the collecting pan

All dimensions in mm



## Structure of the dosing station



Item	Description
①	Injection nozzle SKD
②	Multifunctional valve PENTABLOC / back-pressure valve (with LDp 10 and LDp 15)
③	MAGDOS LDp dosing pump
④	Filler unit
⑤	Adapter K60x6 (with 60 L packages)
⑥	Pump bracket
⑦	Drain line
⑧	Hoses
⑨	GF-2 suction line
⑩	Delivery package
⑪	Collecting pan

## Scope of delivery

EASYCHLORMIX is delivered fitted with the following modules:

- Solenoid Diaphragm Dosing Pump MAGDOS LDp
- Multifunctional valve PENTABLOC with the system size EASYCHLORMIX 05 to 6
- Back-pressure valve PENTABLOC with the system size EASYCHLORMIX 10 and 15
- Injection nozzle SKD
- Pump bracket
- Collecting pan
- Hose (PVC web-reinforced, 6/12 mm, 10 m long)
- Drain line
- Set of warning signs
- Filler unit with shutoff valve and adsorption unit
- GF-2 suction line
- Operating instructions of the dosing station
- Operating instructions of the components

## Accessories

Description	Part No.
PVC hose	
■ 4/6 mm	97181
■ 6/12 mm	97120
Connection for filler unit	
■ fitting for a 25 litre delivery package	41428
■ fitting for a 60 litre delivery package	41429
Hose adapter G1/2" (ext. Water connection)	41415
Angle hose adapter G1/2" (ext. Water connection)	88860
Injection nozzle cpl. 6/12	12300366
Multifunctional valve PENTABLOC	12601075
Back-pressure valve set PN16	12500372
Suction Line PVC	
■ 460 mm for 25 l package	12200982
■ 630 mm for 60 l package	12200983
Calcium hypochlorite granulate	
■ 25 l package	97915
■ 60 l package	97925
Chemicals protective equipment	19800021

## Average chlorine requirement, service life of the delivery package and max. dosing capacity

Example	Circulation capacity	Chlorine requirement max.	Chlorine requirement 0.8 mg/l	Packaging size / time per filling	Chlorine requirement 0.4 mg/l	Packaging size / time per filling	Dosing capacity max.
1 interior swimming pool, 25 * 16.66 m	185 m <sup>3</sup> /h	370 g Cl <sub>2</sub>	148 g = 2.96 l/h	60 l = 20.27 h	74 g = 1.48 l/h	60 l = 40.54 h	7.40 l/h
1 non-swimming pool interior 10 * 16.66 m	120 m <sup>3</sup> /h	240 g Cl <sub>2</sub>	96 g = 1.92 l/h	60 l = 31.25 h	48 g = 0.96 l/h	25 l = 26.04 h	4.80 l/h
1 Whirlpool interior	80 m <sup>3</sup> /h	160 g Cl <sub>2</sub>	64 g = 1.28 l/h	60 l = 46.87 h	32 g = 0.64 l/h	25 l = 39.06 h	3.20 l/h
1 paddling pool outside	60 m <sup>3</sup> /h	600 g Cl <sub>2</sub>	48 g = 0.96 l/h	25 l = 26.04 h	24 g = 0.48 l/h	25 l = 52.08 h	12.0 l/h
1 swimming pool outside 20 * 12.5 m	110 m <sup>3</sup> /h	1100 g Cl <sub>2</sub>	88 g = 1.76 l/h	60 l = 34.09 h	44 g = 0.88 l/h	25 l = 28.41 h	22.0 l/h
1 relaxation bath 3 * 1.5 m	12 m <sup>3</sup> /h	24 g Cl <sub>2</sub>	9.6 g = 0.192 l/h	25 l = 130.2 h	4.8 g = 0.096 l/h	25 l = 260.4 h	0.48 l/h

## Selection table of the EASYCHLORMIX plants for public swimming pools

Dosing pump	Rated dosing output at 2 bar	In accordance with DIN 19643-1 suitable for circulation amounts of:	
		Indoor bathing pool in m <sup>3</sup> /h	Outdoor bathing pool in m <sup>3</sup> /h
LDp 05	0.661 l/h (0.092 ml/stroke)	16	3.3
LDp 1	1.337 l/h (0.092 ml/stroke)	33	6.6
LDp 2	3.171 l/h (0.330 ml/stroke)	80	16
LDp 4	4.914 l/h (0.455 ml/stroke)	123	25
LDp 6	7.669 l/h (0.710 ml/stroke)	190	40
LDp 10	10.48 l/h (0.970 ml/stroke)	260	52
LDp 15	14.26 l/h (0.951 ml/stroke)	356	71