

PVC inside (mm)	size (inch)	ANSI outside diameter (mm)	diameter cns standard		BS outside diameter (mm)	JS standard		DINstandard	
			outside diameter (mm)	wall thickness (mm)		outside diameter (mm)	wall thickness (mm)	outside diameter (mm)	wall thickness (mm)
10	3/8"	17.14	18±0.2	2.2±0.6	17.14	18±0.2	2.5±0.2	16±0.2	
15	1/2"	21.34	22±0.2	2.7±0.6	21.34	22±0.2	3.0±0.3	20±0.2	3.0±0.3
20	3/4"	26.67	26±0.2	2.7±0.6	26.67	26±0.2	3.0±0.3	25±0.2	3.0±0.3
25	1"	33.4	34±0.3	3.2±0.6	33.4	32±0.2	3.5±0.3	32±0.2	3.5±0.4
32	1+1/4"	42.16	42±0.3	3.2±0.6	42.16	38±0.3	3.5±0.3	40±0.2	3.5±0.4
40	1+1/2"	48.26	48±0.4	3.6±0.8	48.26	48±0.4	4.0±0.4	50±0.2	4.0±0.4
50	2"	60.32	60±0.5	4.1±0.8	60.32	60±0.5	4.5±0.4	63±0.3	4.5±0.4
65	2+1/2"	73.02	76±0.5	4.1±0.8	73.02	76±0.5	4.5±0.4	75±0.3	4.5±0.4
80	3"	88.9	89±0.5	5.1±0.8	88.9	89±0.5	5.9±0.4	90±0.3	5.9±0.4
100	4"	114.3	114±0.6	6.6±1.0	114.3	114±0.6	7.1±0.5	110±0.3	7.1±0.5
125	5"	141.3	140±0.8	7.5±1.2	141.3	140±0.8	7.5±0.5	140±0.4	7.5±0.5
150	6"	168.28	165±1.0	8.5±1.4	168.28	165±1.0	9.6±0.7	160±0.4	9.6±0.7
200	8"	219.08	216±1.3	10.5±1.4	219.08	216±1.3	11.0±0.7	225±0.5	11.0±0.7
250	10"	273.05	267±1.6	13.0±1.8	273.05	267±1.6	13.6±0.9	250±0.5	13.6±0.9

## QUALITY PRODUCTS QUALITY WATER QUALITY LIFE

- UPVC VALVE
- UPVC PIPE FITTINGS WATER SUPPLE
- UPVC PIPE FITTINGS FOR DRAINAGE
- PP FITTING AND PP CLAMP SADDLE
- SPRINKLER AND HOSE NOZZLES
- IRRIGATION ACCESSORIES

### NINGBO QIANXIANG HUIYA INTERNATIONAL TRADE CO., LTD

ROOM 1517, HUIDING BUILDING, 26 TIANJIAN LANE, YINZHOU DISTRICT,  
NINGBO CITY, ZHEJIANG PROVINCE, CHINA





## NINGBO QIANXIANG HUIYA INTERNATIONAL TRADE CO., LTD

located in Ningbo Zhejiang Province, China, is a professional supplier of Plastic Plumbing, include UPVC, PP, PPR valve, fittings and pipes for irrigation, construction, water treatment, swimming pool, and others related products.

As a company that focuses on innovation and quality, we strictly control product quality, follow product testing, and focus on product production experience, production details, packaging details, and text advertising creativity. Pay attention to the long-term development of products, as well as the product life, easy operation, clean energy and environmental protection.

We can guarantee to provide our customers with competitive prices, Prompt delivery, Various products and professional service. We supply ONE- STOP SERVICE OF valve- fittings- pipes, which mean we supply customers complete range of all these products, related sourcing, and other services.

With 10 years of experience to export, computerized equipment and strict quality control, these factories all had been qualified for the ISO9001, 2000 international standard.

Most of our products are widely distributed to more than 50 countries & area, main market in South America, North America, Africa, Middle East, Southeast Asia.

NB-QXHY has always hold its belief of quality products, quality water, quality life, to Bring more wonderful products to the global village, a green future!

## COMPANY HISTORY

2015

High-level positioning of product quality requirements, focus on long-term product life, and development of a global export service our products!

2018

The sales volume of the company reached 6 Million USD.

2020

NB-QXHY Invest in a new factory manufacturing for PVC ball valve, PVC butterfly valve, PVC fittings.

2012

NB-QXHY company carried out its business structural adjustment, mainly specialized in the research and development for Agricultural irrigation Field

2008

The company was established and specialized in th manufacturing for PVC valve and PVC pipe fittings and distributing other products. From 10 injection molding machines begin production.



- ① . 100% new material quality.
- ② . 100% testing before delivery, and wonderful torque.
- ③ . Professional service and detail control.
- ④ . We focus on middle and high quality market cooperation.
- ⑤ . Innovative and development new products in building material.

# CONTENTS



## UPVC VALVE QX001 - QX016

05-08 ..... PVC BALL VALVE  
 09-10 ..... TRUE UNION BALL VALVE  
 11-12 ..... PVC BUTTERFLY VALVE  
 13 ..... PVC VALVE AND CONNECTORS

## SANITARY WARE SERIES QX017 - QX018

PTFE TAPE AND PVC FAUCET ..... 14

## PLASTIC PIPE FITTINGS QX019 - QX175

15-17 ..... UPVC FITTINGS DIN STANDARD PN10 /PN16  
 18 ..... SCH40 UPVC FITTINGS  
 19 ..... UPVC BSPT THREAD FITTING  
 20 ..... PVC DWV FITTINGS (ASTM D2665)  
 21 ..... UPVC PIPE ASTM SERIES  
 22 ..... UPVC PIPE DIN STANDARD  
 23-24 ..... PP COMPRESSION FITTINGS SERIES  
 25-26 ..... CPVC ASTM 2846 FITTINGS  
 27-28 ..... PPR PIPE AND FITTINGS SERIES

## IRRIGATION PRODUCTS QX176 - QX229

SPRINKLER SERIES ..... 29-30  
 IRRIGATION ACCESSORIES ..... 31  
 PVC LAYFLAT HOSE AND CONNECTORS ..... 32-33  
 SEED TRAY ..... 34

# 1. UPVC VALVE



**QX001**  
**TYPE A COMPACT BALL VALVE**

HANDLE TYPE



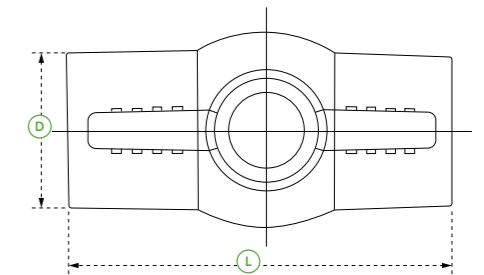
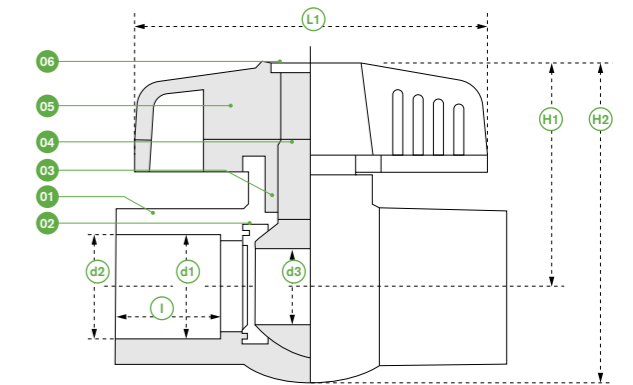
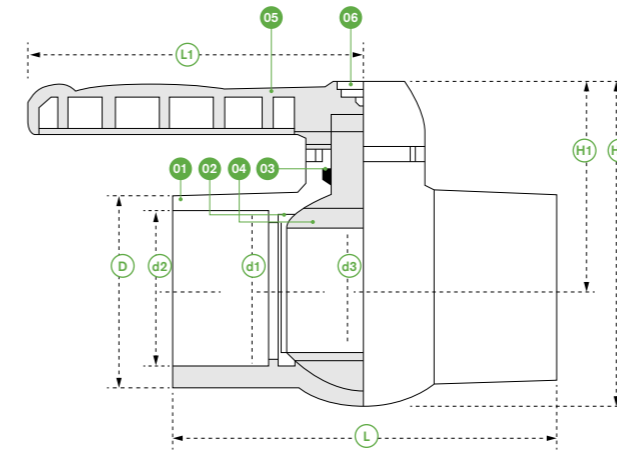
PN16 PVC BALL VALVE

SPECIFICATION	Weight/g
1/2"	87
3/4"	129
1"	188.5
1-1/4"	272
1-1/2"	386
2"	659



PN10 PVC BALL VALVE

SPECIFICATION	Weight/g
2-1/2"	1083
3"	2007
4"	3200

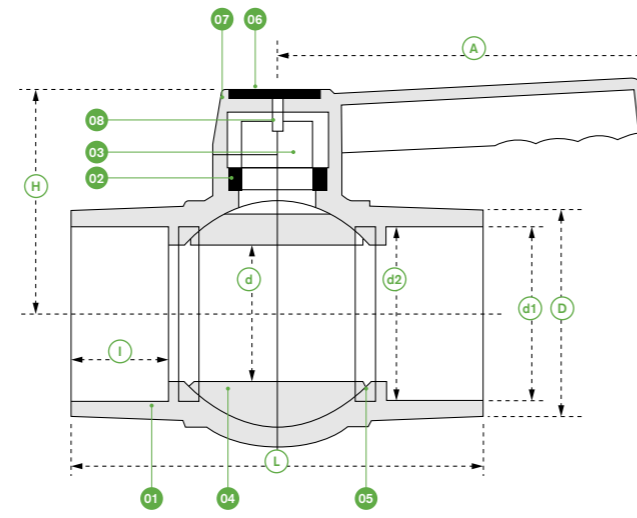
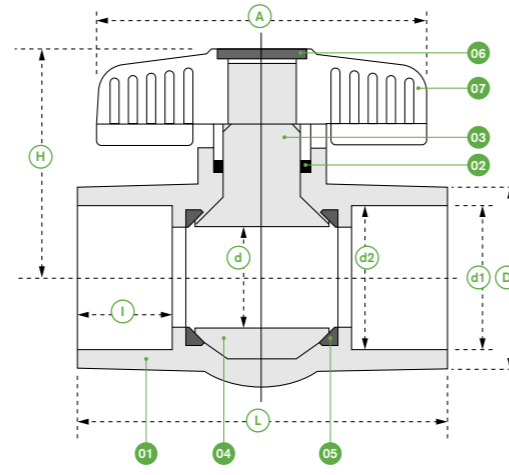


NO.	PART	Material	QTY
01	BODY	U-PVC	1
02	SEAT SEAL	EPDM	2
03	STEM O-RING	EPDM	1
04	BALL	PP	1
05	HANDLE	PVC alloy handle	1
06	CAP	PVC	1

Extended body ball valve parameters Unit: mm

DN	15	20	25	32	40	50	65	80	100
SIZE	1/2"	3/4"	1"	1-1/4"	1-1/2"	2"	2-1/2"	3"	4"
WEIGHT(g)	87	129	188.5	272	386	659	1083	2007	3305
Thd./In	NPT	14	14	11.5	11.5	11.5	11.5	8	8
	BSPT	14	14	11	11	11	11	11	11
ANSI	d1	21.23	26.57	33.27	42.04	48.11	60.17	72.85	88.7
	d2	21.54	26.87	33.65	42.42	48.58	60.63	73.38	89.31
d3	15	20	25	31	36	45	60	73	83
D	30.21	37.64	44.67	51.56	62.37	75.93	90.3	108	134.5
L	82.3	95.6	105.8	119	127.8	149.6	177	243.4	286
L1	69.8	76.4	90	102	110	131	160	176	179
I	24.3	29.4	30.5	33.6	33.6	38.3	43.2	69	79.2

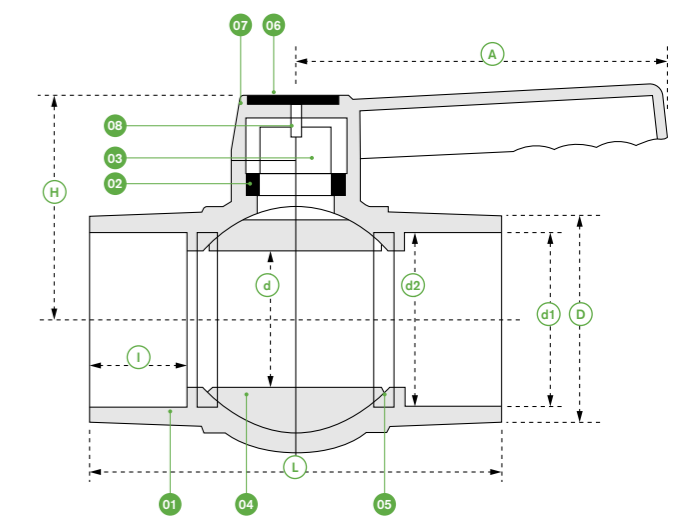
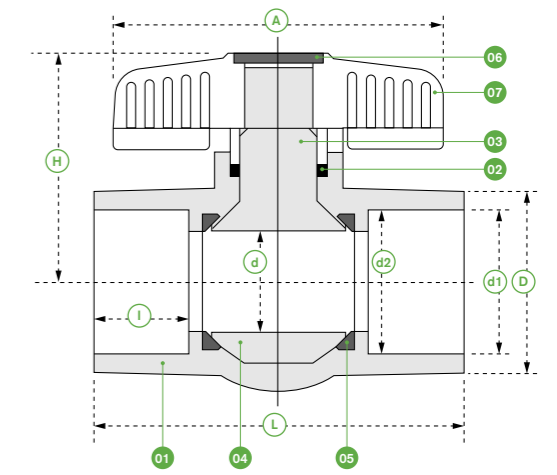
## QX002 | TYPE B COMPACT BALL VALVE



NO.	PART	Material	QTY
01	BODY	UPVC,CPVC	1
02	STEM O-RING	EPDM,FPM (NBR)	1
03	STEM	UPVC, CPVC	1
04	BALL	UPVC,CPVC	1
05	SEAT SEAL	TPE,TPV,TPO	2
06	CAP	PVC,ABS	1
07	HANDLE	PVC,ABS	1
08	SCREW	SS304,STEEL	1

Model	DN	15	20	25	32	40	50	65	80	100	
		SIZE	1/2"	3/4"	1"	1-1/4"	1-1/2"	2"	2-1/2"	3"	4"
QX02	thd./in	WEIGHT(g)	61	88	140	248	315	525	982	1460	2720
		NPT	14	14	11.5	11.5	11.5	11.5	8	8	8
		BSPT	14	14	11	11	11	11	11	11	11
	JIS	I	20	23	25	27	31	34	45	50	55
		d1	22.3	26.3	32.33	38.43	48.46	60.56	76.6	89.6	114.7
		d2	21.7	25.7	31.67	37.57	47.54	59.44	75.87	88.83	113.98
	ANSI	I	20	23	25	27	31	34	45	50	55
		d1	21.54	26.87	33.65	42.42	48.56	60.63	73.38	89.31	114.76
		d2	21.23	26.57	33.27	42.04	48.11	60.17	72.85	88.7	114.07
	DIN	I	20	23	25	27	31	34	45	50	55
		d1	20.3	25.3	32.3	40.3	50.3	63.3	75.3	90.3	110.4
		d2	20	25	32	40	50	63	75	90	110
d		15	19	24	30	34	45	55	70	85	
H		37	55	66	73	81	91	99	121	134	
A		68	80	94	100	110	136	170	210	236	
L		77	91	103	111	123	146	178	210	255	
D		30	35.5	43	52	62	75	91	106	130	

## QX003 | OCTAGONAL BALL VALVE

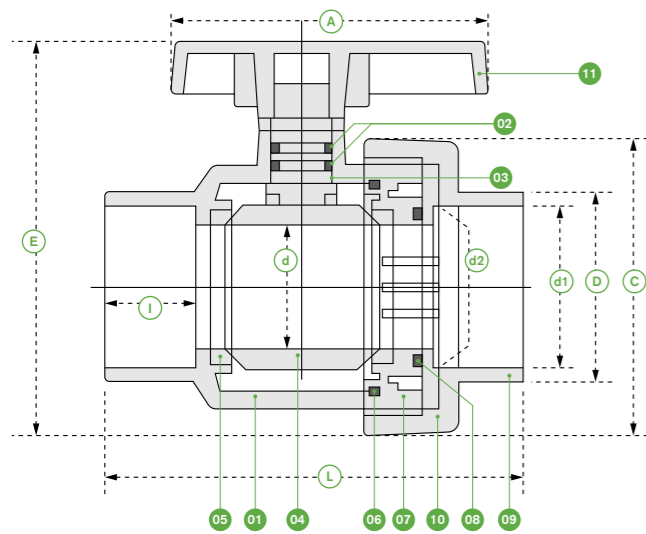


NO.	PART	Material	QTY
01	BODY	UPVC,CPVC	1
02	STEM O-RING	EPDM,FPM (NBR)	1
03	STEM	UPVC, CPVC	1
04	BALL	UPVC,CPVC	1
05	SEAT SEAL	TPE,TPV,TPO	2
06	CAP	PVC,ABS	1
07	HANDLE	PVC,ABS	1
08	SCREW	SS304,STEEL	1

Model	DN	15	20	25	32	40	50	65	80	100	
		SIZE	1/2"	3/4"	1"	1-1/4"	1-1/2"	2"	2-1/2"	3"	4"
QX03	thd./in	NPT	14	14	11.5	11.5	11.5	11.5	8	8	8
		BSPT	14	14	11	11	11	11	11	11	11
		I	20	23	25	27	31	34	45	50	55
	JIS	d1	22.3	26.3	32.33	38.43	48.46	60.56	76.6	89.6	114.7
		d2	21.7	25.7	31.67	37.57	47.54	59.44	75.87	88.83	113.98
		I	20	23	25	27	31	34	45	50	55
	ANSI	d1	21.54	26.87	33.65	42.42	48.56	60.63	73.38	89.31	114.76
		d2	21.23	26.57	33.27	42.04	48.11	60.17	72.85	88.7	114.07
		I	20	23	25	27	31	34	45	50	55
	DIN	d1	20.3	25.3	32.3	40.3	50.3	63.3	75.3	90.3	110.4
		d2	20	25	32	40	50	63	75	90	110
		d		15	19	24	30	34	45	55	70
H		37	55	66	73	81	91	99	121	134	
A		68	80	94	100	110	136	170	210	236	
L		77	91	103	111	123	146	178	210	255	
D		30	35.5	43	52	62	75	91	106	130	

## QX004

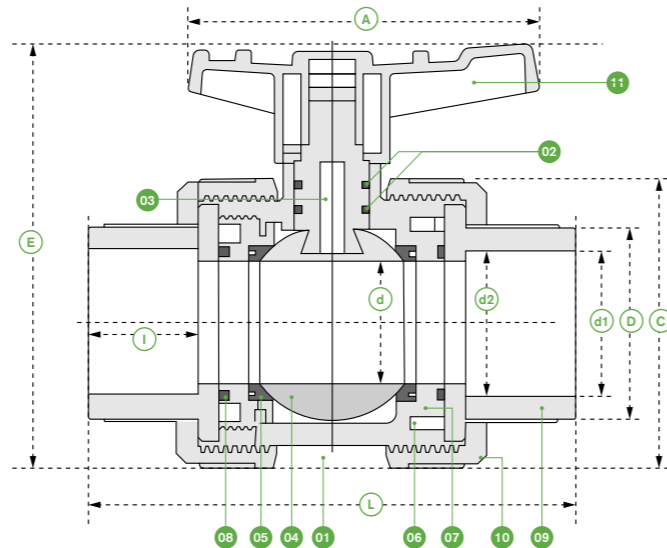
### PLASTIC SINGLE UNION BALL VALVE



NO.	PART	Material	QTY
01	BODY	UPVC,CPVC	1
02	STEM O-RING	EPDM,FPM (NBR)	2
03	STEM	UPVC, CPVC	1
04	BALL	UPVC,CPVC	1
05	SEAT SEAL	TPE,TPV,TPO	2
06	CARRIER O-RING	EPDM,FPM (NBR)	1
07	SEAL CARRIER	UPVC CPVC	1
08	UNION O-RING	EPDM,FPM (NBR)	1
09	END CONNECTOR	UPVC,CPVC	1
10	UNION NUT	UPVC,CPVC	1
11	HANDLE	PVC	1

## QX005

### PVC DOUBLE UNION BALL VALVE



NO.	PART	Material	QTY
01	BODY	UPVC,CPVC	1
02	STEM O-RING	EPDM,FPM (NBR)	2
03	STEM	UPVC, CPVC	1
04	BALL	UPVC,CPVC	1
05	SEAT SEAL	TPE,TPV,TPO	2
06	CARRIER O-RING	EPDM,FPM (NBR)	1
07	SEAL CARRIER	UPVC CPVC	1
08	UNION O-RING	EPDM,FPM (NBR)	2
09	END CONNECTOR	UPVC,CPVC	2
10	UNION NUT	UPVC,CPVC	2
11	HANDLE	PVC	1

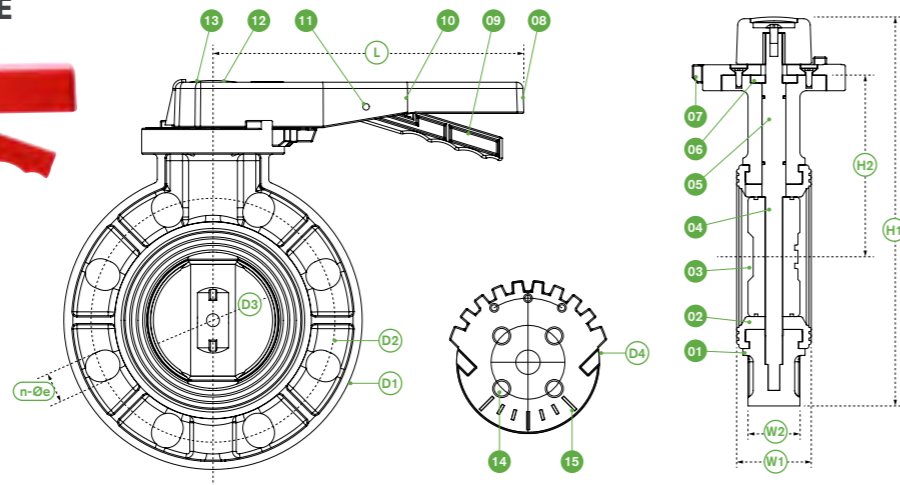


INSTALLATION DIAGRAM

### DIMENSION Unit: mm

Model	DN	15	20	25	32	40	50	65	80	100
	SIZE	1/2"	3/4"	1"	1-1/4"	1-1/2"	2"	2-1/2"	3"	4"
thd./in	NPT	14	14	11.5	11.5	11.5	11.5	8	8	8
	BSPT	14	14	11	11	11	11	11	11	11
JIS	l	16.1	18.5	21	26.5	31.3	38	41	51.5	61
	d1	22.3	26.3	32.33	38.43	48.46	60.56	76.6	89.6	114.7
	d2	21.7	25.7	31.67	37.57	47.54	59.44	75.87	88.83	113.98
ANSI	l	16.1	18.5	21	26.5	31.3	38	41	51.5	61
	d1	21.54	26.87	33.65	42.42	48.56	60.63	73.38	89.31	114.76
	d2	21.23	26.57	33.27	42.04	48.11	60.17	72.85	88.7	114.07
DIN	l	16.1	18.5	21	26.5	31.3	38	41	51.5	61
	d1	20.3	25.3	32.3	40.3	50.3	63.3	75.3	90.3	110.4
	d2	20	25	32	40	50	63	75	90	110
	d	15	20	25	30	38	48	59	72	96
	C	56	60	69	80	95	116	139	170	210
	E	79	90	103	122	139	166	190	235	277
	A	67	78	87	102	120	146	178	210	250
	L	83	94	107	122	146	171	210	246	283
	D	28.8	35	43	52	62	75.5	88.5	106	131

# QX006 BUTTERFLY VALVE

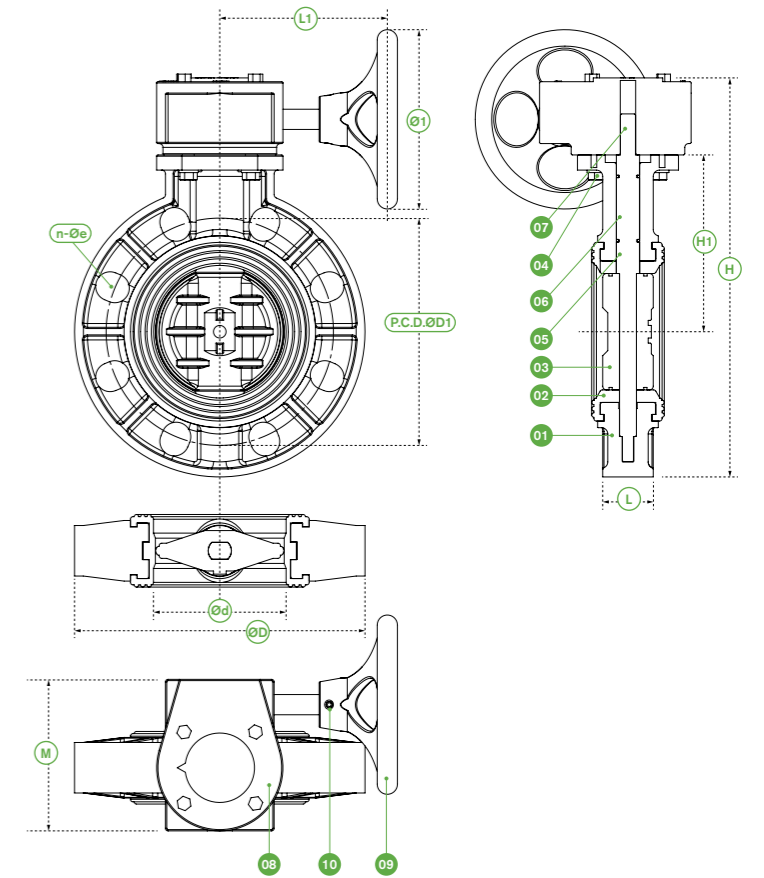


NO.	PART	Material	QTY
01	Body	PVC	1
02	Seat Seal	EPDM, FPM(NBR)	1
03	Gate	PVC	1
04	Stem	STEEL, SS304, SS316	1
05	O-Ring	EPDM, FPM(NBR)	1
06	Washer	ABS	1
07	Locking Plate	PVC	1
08	Large Handle	ABS	1

NO.	PART	Material	QTY
09	SMALL HANDLE	ABS	1
10	SPRING	SS304, 316	1
11	PIN	SS304, 316	1
12	BOLT	SS304, 316	1
13	HANDLE CAP	ABS	1
14	INSERED BOLT	SS304, 316	4
15	BOLT CAP	PVC	4

SIZE	/	2"	2 1/2"	3"	4"	5"	6"	8"
	DN		50	65	80	100	125	150
P.C.D. ØD1	ØD	160	180	196	228	258	287	344
	DIN	125	145	160	180	210	240	295
	ANSI	121	140	152	191	216	241	298
	JIS	120	140	150	175	210	240	290
Ød		48	63	78	98	122	146	199
L		43	46	49	54	64	70	88
Ø1		124	124	124	124	170	170	170
Ø2		1SO5211 F05/F07	1SO5211 F05/F07	1SO5211 F05/F07	1SO5211 F05/F07	1SO5211 F07/F10	1SO5211 F07/F10	1SO5211 F10
LI		190	190	240	240	310	310	310
W		55	55	55	55	72	72	72
H1		100	112	120	140	168	181	215
H2		143	155	172	194	223	239	280
H		223	245	270	308	352	382	452
n-Øe	DIN	4-Ø19	4-Ø19	8-Ø19	8-Ø19	8-Ø19	8-Ø23	8-Ø23
	ANSI	4-Ø19	4-Ø19	4-Ø19	8-Ø19	8-Ø19	8-Ø23	8-Ø23
	JIS	4-Ø18	4-Ø19	8-Ø19	8-Ø19	8-Ø19	8-Ø23	12-Ø23
PN	PSI	150	150	150	150	150	150	100
	MPa	1	1	1	1	1	1	0.6

# QX007 BUTTERFLY VALVE WITH GEARTYPE



NO.	PART	Material	QTY
01	Body	PVC/CPVC/PPG	1
02	Seat Seal	EPDM, FPM	1
03	DISC	PVC/CPVC/PPG	1
04	Bolt	SUS304	1
05	Stem	SteelsUS304/SUS316	1
06	O-Ring	EPDM, FPM	1
07	Key	Steel	1
08	Gear Box	Iron	1
09	Hand Wheel	Iron	1
10	Pin	Steel	1

## DIMENSION

SIZE	/	4"	5"	6"	8"	10"	12"	14"	16"	80
	DN		100	125	150	200	250	300	350	400
P.C.D. ØD1	ØD	228	258	287	344	412	460	500	565	670
	DIN	180	210	240	295	350	400	460	515	620
	ANSI	191	216	241	298	362	432	476	540	
	JIS	175	210	240	290	355	400	445	510	
Ød		98	122	146	179	255	302	345	395	490
L		54	64	70	88	98	108	88	98	135
Ø1		145	280	280	280	280	280	380	380	280
L1		120	200	200	200	220	220	280	280	
H1		140	168	181	215	260	280	410	490	520
H		340	385	417	487	551	595	670	770	865
M		120	180	180	180	180	180	250	250	
N		90	100	100	100	130	130	220	220	
n-Øe	DIN	8-Ø19	8-Ø19	8-Ø23	8-Ø23	12-Ø25	12-Ø25	16-Ø25	16-Ø27	20-Ø32
	ANSI	8-Ø19	8-Ø19	8-Ø23	8-Ø23	12-Ø25	12-Ø25	12-Ø29	16-Ø29	
	JIS	8-Ø19	8-Ø19	8-Ø23	12-Ø23	12-Ø25	16-Ø25	16-Ø25	16-Ø25	16-Ø27
PN	PSI	150	150	150	150	100	100	60	60	60
	Mpa	1	1	1	1	0.6	0.6	0.4	0.4	0.4

Unit: mm



### QX008

#### PVC TWO PCS BALL VALVE

##### SPECIFICATION

Size:	1/2" to 4"(15mm to 100mm)
With socket and threaded end	



### QX009

#### EVACUATION VALVE

##### SPECIFICATION

Size:	3/4" 1" 2"
-------	------------

### QX010

#### PVC FLANGE

##### SPECIFICATION

Size:	1/2" to 4"(15mm to 100mm)
With socket end	

### QX011

#### PVC UNION

##### SPECIFICATION

Size:	1/2" to 4"
Supply white, grey	
Specification:	SCH40, SCH80, DIN

### QX012

#### PVC FOOT VALVE

##### SPECIFICATION

Size:	1/2" to 8"(15mm to 200mm)
With socket and threaded end	



### QX013

#### PVC WAFER CHECK VALVE

##### SPECIFICATION

Material	U-PVC
Color	Grey White
Standard	DIN JIS BS ANSI
SIZE	2" TO 8"



### QX014

#### PVC COMPRESSION

##### SPECIFICATION

Size:	1/2" to 4" (15mm to 100mm)
Specification:	SCH40, DIN Standard



### QX015

#### PVC CHECK VALVE

##### SPECIFICATION

Material	PVC/UPVC
Standard	DIN, ANSI, NPT, BSPT, BS
Size	DN65~DN150(2 1/2"~6")
connection	Sockets; cement; glue



### QX016

#### PVC MALE UNION

##### SPECIFICATION

Size:	1/2" to 4"
Standard:	DIN, BS
With socket and thread end	

### QX017

#### PTFE THREADED SEAL TAPE

Name	100% ptfе water pipe thread seal tape
Color	white yellow or other color
Width:	3 - 100mm(1/2', 3/4', 1')
Thickness:	0.075mm, 0.1MM , 0.2MM
Length:	5-100m
Density:	0.2 - 1.2g/cm3
Material:	PTFE
Used temperature:	-190° C to +370° C
Sample:	available
Packing Details	10pcs/ Roll, 250pcs inner box, 1000 pcs per box or 250 pcs per box
According to customer's requests	



### QX018

#### PLASTIC FAUCET

Material:	ABS PP PVC
Size:	1/2', 3/4'
Usage:	Kitchen, outdoors, sanitary
Use:	basin, Washing machine
Installation Type:	Wall Mounted
Packaging	240PCS/BOX
ABS PP PVC Plastic Coloured Water Tap	





## 2. UPVC FITTINGS DIN STANDARD PN10 /PN16




**QX019**  
Coupling

SPECIFICATION	
Φ20	Φ110
Φ25	Φ125
Φ32	Φ140
Φ40	Φ160
Φ50	Φ200
Φ63	Φ250
Φ75	Φ315
Φ90	Φ400



**QX024**  
PVC union check valve2

SPECIFICATION	
Φ20	Φ63
Φ25	Φ75
Φ32	Φ90
Φ40	Φ110
Φ50	



**QX027**  
PVC union check valve

SPECIFICATION	
Φ20	Φ63
Φ25	Φ75
Φ32	Φ90
Φ40	Φ110
Φ50	



**QX020**  
Male Coupling

SPECIFICATION	
Φ20	Φ63
Φ25	Φ75
Φ32	Φ90
Φ40	Φ110
Φ50	



**QX025**  
90° Deg Elbow

SPECIFICATION	
Φ20	Φ110
Φ25	Φ125
Φ32	Φ140
Φ40	Φ160
Φ50	Φ200
Φ63	Φ250
Φ75	Φ315
Φ90	Φ400



**QX028**  
45° Deg Elbow

SPECIFICATION	
Φ20	Φ110
Φ25	Φ125
Φ32	Φ140
Φ40	Φ160
Φ50	Φ200
Φ63	Φ250
Φ75	Φ315
Φ90	Φ400



**QX021**  
Female Coupling

SPECIFICATION	
Φ20	Φ63
Φ25	Φ75
Φ32	Φ90
Φ40	Φ110
Φ50	



**QX026**  
Reducing Coupling

SPECIFICATION		
φ25*20	φ75*50	Φ160x110
φ32*20	φ75*63	Φ160x125
φ32*25	φ90*40	Φ200x110
φ40*20	φ90*50	Φ200x160
φ40*25	φ90*63	Φ250x110
φ40*32	φ90*75	Φ250x160
φ50*20	φ110*50	Φ250x200
φ50*25	φ110*63	Φ315x110
φ50*32	φ110*75	Φ315x160
φ50*40	φ110*90	Φ315x200
φ63*25	φ125*63	Φ315x250
φ63*32	φ125*75	Φ400x200
φ63*40	φ125*90	Φ400x250
φ63*50	φ125*110	Φ400x315
φ75*32	φ140*110	Φ400x355
φ75*40	φ160*90	Φ400x315



**QX029**  
Reducing Tee

SPECIFICATION		
φ25*20	φ75*40	Φ160x90
φ32*20	φ75*50	Φ160x110
φ32*25	φ75*63	Φ200x75
φ40*20	φ90*40	Φ200x90
φ40*25	φ90*50	Φ200x110
φ40*32	φ90*63	Φ200x160
φ50*20	φ90*75	Φ250x110
φ50*25	φ110x50	Φ250x160
φ50*32	φ110x63	Φ250x200
φ50*40	φ110x75	Φ315x110
φ63*20	φ110x90	Φ315x160
φ63*25	φ125x63	Φ315x200
φ63*32	φ125x75	Φ315x250
φ63*40	φ125x90	Φ400x200
φ63*50	φ125x110	Φ400x250
φ75*32	φ140x110	Φ400x315



**QX022**  
End Cap

SPECIFICATION	
Φ20	Φ110
Φ25	Φ125
Φ32	Φ160
Φ40	Φ200
Φ50	Φ250
Φ63	Φ315
Φ75	Φ400
Φ90	

SPECIFICATION		
φ25*20	φ75*50	Φ160x110
φ32*20	φ75*63	Φ160x125
φ32*25	φ90*40	Φ200x110
φ40*20	φ90*50	Φ200x160
φ40*25	φ90*63	Φ250x110
φ40*32	φ90*75	Φ250x160
φ50*20	φ110*50	Φ250x200
φ50*25	φ110*63	Φ315x110
φ50*32	φ110*75	Φ315x160
φ50*40	φ110*90	Φ315x200
φ63*25	φ125*63	Φ315x250
φ63*32	φ125*75	Φ400x200
φ63*40	φ125*90	Φ400x250
φ63*50	φ125*110	Φ400x315
φ75*32	φ140*110	Φ400x355
φ75*40	φ160*90	Φ400x315

SPECIFICATION		
φ25*20	φ75*40	Φ160x90
φ32*20	φ75*50	Φ160x110
φ32*25	φ75*63	Φ200x75
φ40*20	φ90*40	Φ200x90
φ40*25	φ90*50	Φ200x110
φ40*32	φ90*63	Φ200x160
φ50*20	φ90*75	Φ250x110
φ50*25	φ110x50	Φ250x160
φ50*32	φ110x63	Φ250x200
φ50*40	φ110x75	Φ315x110
φ63*20	φ110x90	Φ315x160
φ63*25	φ125x63	Φ315x200
φ63*32	φ125x75	Φ315x250
φ63*40	φ125x90	Φ400x200
φ63*50	φ125x110	Φ400x250
φ75*32	φ140x110	Φ400x315



**QX023**  
Ts Flange

SPECIFICATION	
Φ20	Φ75
Φ25	Φ90
Φ32	Φ110
Φ40	Φ125
Φ50	Φ160
Φ63	Φ200



**QX030**  
Tee

SPECIFICATION	
Φ20	Φ110
Φ25	Φ125
Φ32	Φ140
Φ40	Φ160
Φ50	Φ200
Φ63	Φ250
Φ75	Φ315
Φ90	Φ400



**QX031**  
Van Stone Flange

SPECIFICATION	
Φ50	Φ250
Φ63	Φ315
Φ75	Φ355
Φ90	Φ400
Φ110	De450
Φ160	De500
Φ200	



**QX032**  
One-Piece Flange

SPECIFICATION	
De20	De110
De25	De140
De32	De160
De40	De180
De50	De200
De63	De250
De75	De280
De90	



**QX033**  
Clamp Saddle

SPECIFICATION		
De90*1.5"	De160*0.75"	De225*2.5"
De110*0.5"	De160*1"	De250*2"
De110*0.75"	De160*1.5"	De250*2.5"
De110*1"	De160*2"	De250*3"
De110*1.5"	De160*2.5"	De315*2"
De110*2"	De200*1.5"	De315*3"
De110*2.5"	De200*2"	De315*4"
De125*1.5"	De200*2.5"	De315*110
De125*2"	De225*0.5"	De315*160
De125*2.5"	De225*1.5"	De400*200
De160*0.5"	De225*2"	



**QX034**  
PVC foot valve with union

SPECIFICATION	
Φ20	Φ63
Φ25	Φ75
Φ32	Φ90
Φ40	Φ110
Φ50	



**QX035**  
Elbow 90°(F/F)

SPECIFICATION	
De63	De200
De75	De225
De90	De250
De110	De315
De160	De355



**QX036**  
Faucet Flange

SPECIFICATION	
De63	De200
De75	De225
De90	De250
De110	De315
De125	De355
De140	De400
De160	



**QX037**  
Spigot Flange

SPECIFICATION	
De63	De200
De75	De225
De90	De250
De110	De315
De160	De400



**QX038**  
Reducer(F/F)

SPECIFICATION		
De75*63	De200*160	De315*110
De90*63	De225*110	De315*160
De90*75	De225*160	De315*200
De110*63	De225*200	De315*225
De110*75	De250*110	De315*250
De110*90	De250*160	De355*200
De160*110	De250*200	De355*315
De200*110	De250*225	



**QX039**  
Threaded Elbow 90°

SPECIFICATION	
20*0.5"	
25*0.75"	



**QX040**  
Elbow 22.5° (F/S)

SPECIFICATION	
De225	
De250	
De315	



**QX041**  
Elbow 22.5°(F/F)

SPECIFICATION	
De63	De200
De75	De225
De90	De250
De110	De315
De160	



**QX042**  
Elbow 45°(F/F)

SPECIFICATION	
De63	De200
De75	De225
De90	De250
De110	De315
De160	De355



**QX043**  
Elbow 45° (F/S)

SPECIFICATION	
De200	
De225	
De250	
De315	



**QX044**  
Elbow 90° (F/S)

SPECIFICATION	
De200	
De225	
De250	
De315	



**QX045**

Elbow 90°(F/F)

**SPECIFICATION**

De63	De200
De75	De225
De90	De250
De110	De315
De160	De355

**SPECIFICATION**

De110
De160*110
De160
De200*110
De200*160
De200
De225*110
De225*160
De225
De250*110
De250*160
De250*200
De250
De315*110
De315*160
De315*200
De315



**QX046**

Tee (F/F/S)

**QX047**

Tee (F/F/F)

SPECIFICATION		
De63	De110*75	De250*160
De75	De110*90	De250*200
De90	De160*63	De250*225
De110	De160*75	De315*110
De160	De160*90	De315*160
De200	De160*110	De315*200
De225	De200*63	De315*225
De250	De200*75	De315*250
De315	De200*90	De355*160
De355	De200*110	De355*200
De75*63	De200*160	De355*225
De90*63	De225*110	De355*250
De90*75	De225*160	De355*315
De110*63	De250*110	



**QX048**

Reducing Bushing



**QX049**

Tee With Flanged Branch(F/F)



**QX050**

Y-Tee



**QX051**

Lateral Cross(F/F/S/S)

**SPECIFICATION**

φ25*20
φ32*25
φ40*32
φ50*40
φ63*50
φ75*63
φ90*75
φ110*90
φ140*110
φ160*110
φ160*140
φ225*160
φ280*250
φ315*280
φ355*315
φ400*315
φ400*355

**SPECIFICATION**

De110
De160*110
De160
De200*110
De200*160
De200
De225*110
De225*160
De225
De250*110
De250*160
De250*200
De250
De315*110
De315*160
De315*200
De315

**SPECIFICATION**

De110	De250
De160	De315
De200	

**SPECIFICATION**

De110	De250
De160	De315
De200	



**QX052**

PVC Cross 2 PN16



**QX053**

Flange foot valve



**QX054**

PVC double union valve



**QX055**

PVC Cross PN16



**QX056**

Y-filter



**QX057**

PVC reducer Cross PN16

**SPECIFICATION**

φ20	φ90
φ25	φ110
φ32	φ140
φ40	φ160
φ50	φ200
φ63	φ250
φ75	φ315

**SPECIFICATION**

φ20	φ63
φ25	φ75
φ32	φ90
φ40	φ110
φ50	

**SPECIFICATION**

φ20	φ63
φ25	φ75
φ32	φ90
φ40	φ110
φ50	

**SPECIFICATION**

φ20	φ110
φ25	φ140
φ32	φ160
φ40	φ200
φ50	φ225
φ63	φ250
φ75	φ315
φ90	

**SPECIFICATION**

φ20	φ63
φ25	φ75
φ32	φ90
φ40	φ110
φ50	

**SPECIFICATION**

φ90*50
φ90*63
φ110*50
φ110*63
φ140*50
φ140*63
φ140*75
φ160*63
φ160*110

## 2. SCH40 UPVC FITTINGS



**QX058**

Coupling

**SPECIFICATION**

1/2	2
3/4	2 1/2
1	3
1 1/4	4
1 1/2	



**QX059**

End Cap

**SPECIFICATION**

1/2	2
3/4	2 1/2
1	3
1 1/4	4
1 1/2	



**QX060**

Female End Cap

**SPECIFICATION**

1/2
3/4
1



**QX061**

Female Adaptor

**SPECIFICATION**

1/2	2
3/4	2 1/2
1	3
1 1/4	4
1 1/2	



**QX062**

Union

**SPECIFICATION**

1/2	2
3/4	2 1/2
1	3
1 1/4	4
1 1/2	



**QX063**

Reducing Bushing

**SPECIFICATION**

1/2
3/4
1
1 1/4
1 1/2
2



**QX064**

Male Plug

**SPECIFICATION**

3/4 x 1/2
1 x 3/4
1 1/4 x 1
1 1/2 x 1 1/4
2 x 1 1/2



**QX065**

Male Adaptor

**SPECIFICATION**

1/2	2
3/4	2 1/2
1	3
1 1/4	4
1 1/2	



**QX066**

Reducing Coupling

**SPECIFICATION**

3/4 x 1/2	2 x 1 1/2
1 x 1/2	2 1/2 x 1 1/2
1 x 3/4	2 1/2 x 2
1 1/4 x 3/4	3 x 2
1 1/4 x 1	3 x 2 1/2
1 1/2 x 1	4 x 2 1/2
1 1/2 x 1 1/4	4 x 3
2 x 1 1/4	



**QX067**

90° Female Elbow

**SPECIFICATION**

1/2	2
3/4	2 1/2
1	3
1 1/4	4
1 1/2	



**QX068**

90° Elbow

**SPECIFICATION**

1/2	1 1/4
3/4	1 1/2
1	2



**QX069**

90° Female Reducing Elbow

**SPECIFICATION**

1/2 x 3/4
1 x 1/2
1 x 3/4



**QX070**

45° Elbow

**SPECIFICATION**

1/2	2
3/4	2 1/2
1	3
1 1/4	4
1 1/2	



**QX071**

Tee

**SPECIFICATION**

1/2	2
3/4	2 1/2
1	3
1 1/4	4
1 1/2	



**QX072**

Reducing Tee

**SPECIFICATION**

3/4 x 1/2	2 x 1 1/2
1 x 1/2	2 1/2 x 1 1/2
1 x 3/4	2 1/2 x 2
1 1/4 x 3/4	3 x 2
1 1/4 x 1	3 x 2 1/2
1 1/2 x 1	4 x 2 1/2
1 1/2 x 1 1/4	4 x 3
2 x 1 1/4	



**QX073**

Female Tee

**SPECIFICATION**

1/2 x 1/2
3/4 x 3/4
1 x 1

## 2. UPVC BSPT THREAD FITTING




**QX074**  
Female Coupling

SPECIFICATION	
1/2"	2"
3/4"	2-1/2"
1"	3"
1-1/4"	4"
1-1/2"	




**QX079**  
Female Cap

SPECIFICATION	
1/2"	1-1/4"
3/4"	1-1/2"
1"	2"



**QX085**  
Female Tee

SPECIFICATION	
1/2"	2"
3/4"	2-1/2"
1"	3"
1-1/4"	4"
1-1/2"	



**QX075**  
Female Reducer

SPECIFICATION	
3/4"x1/2"	
1"x1/2"	
1"x3/4"	



**QX080**  
Male Reducing Coupling

SPECIFICATION	
3/4"x1/2"	
1"x1/2"	
1"x3/4"	




**QX086**  
Female Reducer Tee

SPECIFICATION	
3/4"x1/2"	
1"x1/2"	
1"x3/4"	



**QX076**  
Male Coupling

SPECIFICATION	
1/2"	1-1/4"
3/4"	1-1/2"
1"	2"



**QX081**  
Female And Male Union

SPECIFICATION	
1/2"	
3/4"	
1"	



**QX087**  
Female Elbow

SPECIFICATION	
1/2"	2"
3/4"	2-1/2"
1"	3"
1-1/4"	4"
1-1/2"	



**QX077**  
Male Plug

SPECIFICATION	
1/2"	1-1/4"
3/4"	1-1/2"
1"	2"



**QX082**  
Female And Male Tank Back Nut

SPECIFICATION	
1/2"	
3/4"	
1"	




**QX088**  
Reduced Elbow

SPECIFICATION	
3/4"x1/2"	




**QX078**  
Female And Male Adapter

SPECIFICATION	
3/4"x1/2"	
1"x1/2"	
1"x3/4"	
1-1/4x3/4"	
1-1/4"x1"	
1-1/2"x3/4"	
1-1/2"x1"	
1-1/2"x1-1/4"	
2x1"	
2x1-1/4"	
2"x1-1/2"	




**QX083**  
Female Union

SPECIFICATION	
1/2"	1-1/4"
3/4"	1-1/2"
1"	2"



**QX089**  
Elbow With Brass

SPECIFICATION	
1/2"	
3/4"	
1/2"x3/4"	



**QX084**  
Clip

SPECIFICATION	
1/2"	
3/4"	



**QX090**  
Male & Female Elbow


SPECIFICATION	
1/2"	1-1/4"
3/4"	1-1/2"
1"	2"

## 2. PVC DWV FITTINGS (ASTM D2665)




**QX091** | Dvw Coupler

SPECIFICATION	
1-1/2"	
2"	
3"	
4"	
6"	



**QX099** | Dvw Elbow90°

SPECIFICATION	
3"	
4"	



**QX092** | Dvw Male Adapter

SPECIFICATION	
2"	



**QX100** | Dvw Elbow45°

SPECIFICATION	
1-1/2"	
2"	
3"	
4"	
6"	



**QX106** | P-Trap With Female Clean Out

SPECIFICATION	
11/2"	
2"	




**QX093** | Dvw End Cap

SPECIFICATION	
2"	
3"	
4"	



**QX101** | Dvw Tee

SPECIFICATION	
3"	
4"	



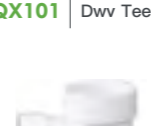
**QX107** | Dvw U-Elbow

SPECIFICATION	
11/2"	
2"	




**QX094** | Dvw Reducing Bushing

SPECIFICATION	
2"x1-1/2"	
4"x2"	




**QX102** | Dvw Tee

SPECIFICATION	
1-1/2"	
2"	
3"	
4"	
6"	




**QX108** | S-Trap With Male Clean Out

SPECIFICATION	
11/2"	
2"	




**QX095** | Dvw Plug

SPECIFICATION	
1-1/4"	3"
1-1/2"	4"
2"	6"



**QX103** | Dvw Bend

SPECIFICATION	
1-1/2"	
2"	
3"	
4"	
6"	




**QX109** | S-Trap Without Clean Out

SPECIFICATION	
11/2"	
2"	



**QX096** | Dvw Vent Cap

SPECIFICATION	
2"	
3"	
4"	



**QX104** | Dvw Elbow M\*F

SPECIFICATION	
11/2"	
2"	



**QX110** | Dvw Trap With Union

SPECIFICATION	
1-1/2"	




**QX097** | Trap Adaptor

SPECIFICATION	
1-1/2"	



**QX105** | Dvw Y- Tee

SPECIFICATION	
1-1/2"	
2"	
3"	
4"	
6"	



**QX111** | Tail Piece

SPECIFICATION	
1-1/2"	



**QX098** | Dvw Tripple

SPECIFICATION	
4"	



**QX112** | Pvc Pressure Pipe

SPECIFICATION	
1/2"	2"
3/4"	3"
1"	4"
1-1/4"	6"
1-1/2"	8"

## 2. CPVC PIPE ASTM2846 STANDARD SDR11

Size	Weight/M	Size	Weight/M
1/2"	0.120	1/2"	0.106
3/4"	0.210	3/4"	0.172
1"	0.343	1"	0.268
1 1/4"	0.520	1 1/4"	0.426
1 1/2"	0.720	1 1/2"	0.594
2"	1.222	2"	1.094



QX113

## 2. UPVC PIPE DIN STANDARD



QX115

## 2. UPVC PIPE ASTM SERIES

ASTM D2241								
Nominal Size (inch)	Average Outer diameter (mm)	Wall Thicknesses (Minimum)						
		SDR64	SDR41	SDR32.5	SDR26	SDR21	SDR17	SDR13.5
1/2"	21.34							1.57
3/4"	26.67					1.52	1.57	1.98
1"	33.40				1.52	1.60	1.96	2.46
1-1/4"	42.16			1.52	1.63	2.01	2.49	3.12
1-1/2"	48.26			1.52	1.85	2.29	2.84	3.58
2"	60.32			1.85	2.31	2.87	3.56	4.47
2-1/2"	73.02			2.24	2.79	3.48	4.29	5.41
3"	88.90		2.16	2.74	3.34	4.24	5.23	6.58
4"	114.30	1.78	2.79	3.51	4.39	5.44	6.73	8.46
5"	141.30	2.21	3.45	4.34	5.44	6.73	8.31	10.46
6"	168.28	2.64	4.11	5.18	6.48	8.03	9.91	12.47
8"	219.08	3.43	5.33	6.73	8.43	10.41	12.90	
10"	273.05	4.27	6.65	8.41	10.49	12.98	16.05	
12"	323.85	5.05	7.90	9.96	12.45	15.39	19.05	
14"	355.60		8.66	10.92	13.67	16.92	20.90	
16"	406.40		9.91	12.50	15.62	19.35	23.90	



QX114

PVC-U Pipe DIN STANDARD							
Nominal Size (mm)	Weight/M (kg)						
	PN6.3	PN8	PN10	PN12.5	PN16	PN20	PN25
20					0.156	0.172	0.194
25				0.199	0.220	0.249	0.297
32			0.259	0.286	0.339	0.403	0.488
40			0.363	0.431	0.530	0.641	0.762
50		0.458	0.545	0.673	0.818	0.997	1.187
63	0.638	0.722	0.859	1.074	1.308	1.583	1.583
75	0.865	0.998	1.227	1.514	1.855	2.243	2.670
90	1.165	1.445	1.642	2.180	2.664	3.201	3.852
110	1.383	1.730	2.121	2.648	3.257	3.939	4.773
125	1.804	2.254	2.754	3.408	4.153		
140	2.280	2.785	3.469	4.263	5.217	6.376	7.716
160	2.978	3.627	4.551	5.597	6.824	8.346	10.132
200	4.563	5.735	7.067	8.724	10.683	13.001	15.792
225	5.762	7.183	8.882	11.041	13.533		
250	7.214	8.905	11.015	13.523	16.614	20.339	
315	11.293	14.134	17.493	21.478	26.445	32.311	
350	14.172	17.641	21.836	26.868	33.122	40.348	
400	18.251	22.760	28.092	34.723	42.565	52.003	
450	23.048	28.730	35.529	43.971	53.943		
500	28.631	35.395	43.839	54.309	66.666		
560	35.721	44.810	55.011	66.266			
630	45.174	56.255	69.693	85.910			

## 2. PP COMPRESSION FITTINGS SERIES



**QX116**  
End Cap

SPECIFICATION	
20	63
25	75
32	90
40	110
50	



**QX117**  
Reducing Coupling

SPECIFICATION	
25X20	63X32
32X20	63X40
32X25	63X50
40X20	75X50
40X25	75X63
40X32	90X63
50X25	90X75
50X32	110X90
50X40	



**QX118**  
Female Tee

SPECIFICATION	
20x1/2"	
25x1/2"	
25x3/4"	
32x1/2"	
32x3/4"	
32x1"	
40x1 1/4"	
50x1 1/4"	
50x1 1/2"	
63x1 1/2"	
63x2"	
75x2 1/2"	
90x3"	
110x4"	



**QX119**  
Female Elbow

SPECIFICATION	
20x1/2"	
20x3/4"	
25x1/2"	
25x3/4"	
25x1"	
32x3/4"	
32x1"	
32x1-1/4"	
40x1"	
40x1 1/4"	
40x1-1/2"	
50x1-1/4"	
50x1-1/2"	
50x2"	
63x1 1/2"	
63x2"	
75x2"	
75x2 1/2"	
90x2-1/2"	
90x3"	
110x3"	
110x4"	



**QX120**  
PP double union valve

SPECIFICATION	
20 x 20	
25 x 25	
32 x 32	
40 x 40	
50 x 50	
63 x 63	
75*75	
90*90	
110*110	



**QX121**  
Coupling

SPECIFICATION	
20	63
25	75
32	90
40	110
50	



**QX121-1**  
END CAP

SPECIFICATION	
20 x 1/2"	
25 x 1/2"	
25 x 3/4"	
32 x 3/4"	
32 x 1"	
40*1-1/4"	
50*11/2"	
63*2"	
75*2-1/2"	
90*3	
110*4	



**QX122**  
Male Adaptor

SPECIFICATION		
20 x 1/2"	40*1"	75*2"
20 x 3/4"	40*1-1/4"	75*2-1/2"
20x1"	40*1-1/2"	75*3"
25 x 1/2"	50*11/4"	90*2"
25 x 3/4"	50*11/2"	90*2-1/2"
25 x 1"	50*2"	90*3
32 x 1/2"	63*11/2"	90*4
32 x 3/4"	63*2"	110*3"
32 x 1"	63*2-1/2"	110*4"
32*1-1/4"		



**QX123**  
Elbow 90°

SPECIFICATION	
20	63
25	75
32	90
40	110
50	



**QX124**  
Tee

SPECIFICATION	
20	63
25	75
32	90
40	110
50	



**QX125**  
Male Tee

SPECIFICATION	
20x1/2"	
20x3/4"	
25x1/2"	
25x3/4"	
25x1"	
32x1/2"	
32x3/4"	
32x1"	
40x1"	
40x1 1/4"	
50x1 1/4"	
50x1 1/2"	
63x1 1/2"	
63x2"	
75x2"	
75x2 1/2"	
90x2 1/2"	
90x3"	
110x4"	



**QX126**  
Reducing Tee

SPECIFICATION	
25x20x25	
32x20x32	
32x25x32	
40x25x40	
40x32x40	
50x25x50	
50x32x50	
50x40x50	
63x32x63	
63x40x63	
63x50x63	
75x50x75	
75x63x75	
90x63x90	
90x75x90	
110x90x110	



**QX127**  
Male Elbow

SPECIFICATION	
20x1/2"	
20x3/4"	
25x1/2"	
25x3/4"	
25x1"	
32x1/2"	
32x3/4"	
32x1"	
40x1 1/4"	
50x1 1/4"	
50x1 1/2"	
63x1 1/2"	
63x2"	
75x2 1/2"	
90x3"	
110x4"	



**QX128**  
CLAMP SADDLE  
PN16

SPECIFICATION		
25 x 1/2"	90 x 1"	180 x 1/2"
25 x 3/4"	90 x 1.1/4"	180 x 3/4"
32 x 1/2"	90 x 1.1/2"	180 x 1"
32 x 3/4"	90 x 2"	180 x 1.1/2"
32 x 1"	90 x 2.1/2"	180 x 2"
40 x 1/2"	110 x 1/2"	180 x 3"
40 x 3/4"	110 x 3/4"	200 x 3/4"
40 x 1"	110 x 1"	200 x 1"
50 x 1/2"	110 x 1.1/4"	200 x 1.1/4"
50 x 3/4"	110 x 1.1/2"	200 x 2"
50 x 1"	110 x 2"	200 x 2.1/2"
50 x 1.1/4"	110 x 2.1/2"	200 x 3"
50 x 1.1/2"	110 x 3"	200 x 4"
63 x 1/2"	125 x 3/4"	225 x 1"
63 x 3/4"	125 x 1"	225 x 1.1/4"
63 x 1"	125 x 1.1/4"	225 x 1.1/2"
63 x 1.1/4"	125 x 1.1/2"	225 x 2"
63 x 1.1/2"	125 x 2"	225 x 2.1/2"
63 x 2"	125 x 3"	225 x 3"
75 x 1/2"	160 x 1/2"	250 x 2"
75 x 3/4"	160 x 3/4"	250 x 3"
75 x 1"	160 x 1"	250 x 4"
75 x 1.1/4"	160 x 1.1/2"	315 x 2"
75 x 1.1/2"	160 x 1.1/4"	315 x 3"
75 x 2"	160 x 2"	315 x 4"
90 x 1/2"	160 x 3"	315 x 6"
90 x 3/4"	160 x 4"	



**QX129**  
Coupling

Size (in.)	
1/2	1 1/4
3/4	1 1/2
1	2



**QX133**  
Reducing Bushing

Size (in.)	
1/2	1 1/4
3/4	1 1/2
1	2



**QX130**  
End Cap

Size (in.)	
3/4 x 1/2	
1 x 1/2	
1 x 3/4	
1 1/4 x 1/2	
1 1/4 x 3/4	
1 1/4 x 1	
1 1/2 x 1/2	
1 1/2 x 3/4	
1 1/2 x 1	
1 1/2 x 1 1/4	
2 x 1/2	
2 x 3/4	
2 x 1	
2 x 1 1/4	
2 x 1 1/2	



**QX136**  
Reducing Coupling

Size (in.)	
3/4 x 1/2	1 1/2 x 1
1 x 1/2	1 1/2 x 1 1/4
1 x 3/4	2 x 1 1/4
1 1/4 x 3/4	2 x 1 1/2
1 1/4 x 1	



**QX137**  
90° Elbow

Size (in.)	
1/2	1 1/2
3/4	2
1	3/4 x 1/2
1 1/4	



**QX140**  
90° Ear Elbow

Size (in.)	
1/2	



**QX143**  
Cross Tee

Size (in.)	
1/2	1 1/4
3/4	1 1/2
1	2



**QX147**  
90° Female Elbow  
(Copper Thread)

Size (in.)	
1/2 x 1/2	
3/4 x 1/2	
3/4 x 3/4	
1 x 1/2	



**QX141**  
Tee

Size (in.)	
1/2	1 1/4
3/4	1 1/2
1	2



**QX144**  
Female Coupling  
(Copper Thread)

Size (in.)	
1/2	
3/4	
1	
3/4 x 1/2	



**QX148**  
Male Elbow (Copper Thread)

Size (in.)	
1/2 x 1/2	
3/4 x 1/2	



**QX142**  
Reducing Tee

Size (in.)	
3/4 x 1/2 x 1/2	
3/4 x 1/2 x 3/4	
3/4 x 3/4 x 1/2	
1 x 1 x 1/2	
1 x 1 x 3/4	
1 1/4 x 1 1/4 x 3/4	
1 1/4 x 1 1/4 x 1	
1 1/2 x 1 1/2 x 1	
1 1/2 x 1 1/2 x 1 1/4	
2 x 2 x 1 1/4	
2 x 2 x 1 1/2	



**QX145**  
Male Coupling  
(Copper Thread)

Size (in.)	
1/2	1 1/4
3/4	1 1/2
1	2



**QX149**  
Male Tee  
(Copper Thread)

Size (in.)	
1/2 x 1/2	
3/4 x 1/2	
1 x 1/2	



**QX131**  
Male Adapter

Size (in.)	
1/2	1 1/2
3/4	2
1	3/4 x 1/2
1 1/4	2 x 1 1/2



**QX134**  
Union

Size (in.)	
1/2	1 1/4
3/4	1 1/2
1	2



**QX138**  
45° Elbow

Size (in.)	
1/2	1 1/4
3/4	1 1/2
1	2



**QX132**  
Female Adapter

Size (in.)	
1/2	1 1/4
3/4	1 1/2
1	2



**QX135**  
Tank Coupling

Size (in.)	
1/2	1 1/4
3/4	1 1/2
1	2



**QX139**  
Clip

Size (in.)	
1/2	1 1/4
3/4	1 1/2
1	2



**QX146**  
Female Coupling  
(Copper Thread)

Size (in.)	
1/2	1 1/4
3/4	1 1/2
1	2



**QX150**  
Female Tee  
(Copper Thread)

Size (in.)	
1/2 x 1/2 x 1/2	
3/4 x 1/2 x 3/4	
1 x 1 x 1/2	

## 2. PPR PIPE AND FITTINGS SERIES



Available colour:  
Green Snow white Milk white Gray



**QX151**

Pp-R Pipe  
(Pn=12.5 To Pn25 )  
Din Standard

**SPECIFICATION**

20	63
25	75
32	90
40	110
50	160



**QX152**

Coupling

**SPECIFICATION**

20	63
25	75
32	90
40	110
50	160



**QX153**

Plastic Union

**SPECIFICATION**

20	40
25	50
32	63



**QX154**

Plug

**SPECIFICATION**

.1/2
.3/4
1"



**QX155**

Flange Set (Ppr)

**SPECIFICATION**

40	90
50	110
63	160
75	



**QX156**

Long Elbow

**SPECIFICATION**

20
25
32
40



**QX157**

Short Bypass Bend

**SPECIFICATION**

20
25
32



**QX158**

steel ball valve

**SPECIFICATION**

20	40
25	50
32	63



**QX159**

45° Elbow

**SPECIFICATION**

20	63
25	75
32	90
40	110
50	160



**QX160**

Equal Tee

**SPECIFICATION**

20	40
25	50
32	63



**QX161**

Reducing Elbow

**SPECIFICATION**

25*20
32*20
32*25
40*20
40*25
40*32
50*20
50*25
50*32
50*40
63*20
63*25
63*32
63*40
63*50



**QX162**

90° Elbow

**SPECIFICATION**

20	63
25	75
32	90
40	110
50	160



**QX163**

Equal Tee

**SPECIFICATION**

20	63
25	75
32	90
40	110
50	160



**QX164**

Reducing Tee

**SPECIFICATION**

25*20*25
32*20*32
32*25*32
40*20*40
40*25*40
40*32*40
50*20*50
50*25*50
50*32*50
50*40*50
63*20*63
63*25*63
63*32*63
63*40*63
63*50*63
75*20*75
75*25*75
75*32*75
75*40*75
75*50*75
75*63*75
90*20*90
90*25*90
90*32*90
90*40*90
90*50*90
90*63*90
90*75*90



**QX165**

Reducing Socket

**SPECIFICATION**

S25*20	S63*40	S90*50
S32*20	S63*50	S90*63
S32*25	S75*20	S90*75
S40*20	S75*25	S110*20
S40*25	S75*32	S110*25
S40*32	S75*40	S110*32
S50*20	S75*50	S110*40
S50*25	S75*63	S110*50
S50*32	S90*20	S110*63
S50*40	S90*25	S110*75
S63*20	S90*32	S110*90
S63*25	S90*40	S160*110
S63*32		



**QX166**

Female Coupling

**SPECIFICATION**

S20*1/2F
S20*3/4F
S25*1/2F
S25*3/4F
S32*1/2F
S32*3/4F
S32*1 " F
S40*11/4F
S50*11/2F
S63*2F
S75*2 1/2F
S90*3F
S110*4F



**QX167**

Male Coupling

**SPECIFICATION**

S20*1/2M
S20*3/4M
S25*1/2M
S25*3/4M
S32*1/2M
S32*3/4M
S32*1M
S40*11/4M
S50*11/2M
S63*2M
S75*2 1/2M
S90*3M
S110*4M



**QX168**

Female Elbow

**SPECIFICATION**

L20*1/2F
L20*3/4F
L25*1/2F
L25*3/4F
L32*1/2F
L32*3/4F
L32*1F
L40*11/4F
L50*11/2F
L63*2F



**QX169**

Male Elbow

**SPECIFICATION**

L20*1/2M
L20*3/4M
L25*1/2M
L25*3/4M
L32*1/2M
L32*3/4M
L32*1M
L40*11/4M
L50*11/2M
L63*2M



**QX170**

Female Elbow With Pedestal

**SPECIFICATION**

20*1/2F
20*3/4F
25*1/2F
25*3/4F



**QX171**

Male Elbow With Pedestal

**SPECIFICATION**

20*1/2M
20*3/4M
25*1/2M
25*3/4M



**QX172**

Female Tee

**SPECIFICATION**

T20*1/2F
T20*3/4F
T25*1/2F
T25*3/4F
T32*1/2F
T32*3/4F
T32*1F
T40*11/4F
T50*11/2
T63*2F



**QX173**

Male Tee

**SPECIFICATION**

T20*1/2M
T20*3/4M
T25*1/2M
T25*3/4M
T32*1/2M
T32*3/4M
T32*1M
T40*11/4M
T50*11/2M
T63*2M



**QX174**

Heavy Stop valve

**SPECIFICATION**

20	50
25	63
32	75
40	90



**QX175**

New luxurious stop valve

**SPECIFICATION**

20
25
32

3. SPRINKLER SERIES



QX176
Spec: G1/2" Full circle plastic impulse sprinkler
Pressure: 1.5-4.0bar
Range: 12-18m
Flux: 0.3-1.3m <sup>3</sup> /h



QX177
MALE PLASTIC IMPULSE SPRINKLER
Nozzle Dia: 2.5mm
Material: ABS
Working pressure: 1.5kgs



QX178
MALE PLASTIC
Radius: 9.5m
Spec: 1/2"
Nozzle Size: 9/64"
Working pressure: 1.5kgs



QX179
Spec: G3/4 " Male
Nozzle Dia: 4.5/2.1mm
Press: 2.0-4.0Bar
Flux: 1.30-2.30m <sup>3</sup> /h
Range(r): 13-16m



QX188
Spec: G3/4 " Male
Nozzle Dia: 7.0/2.9mm
Press: 2.0-5.0Bar
Flux: 2.5-7.00m <sup>3</sup> /h
Range(r): 18-25m



QX189
3 nozzles sprinkler
Spec: 1 inch Male
Pressure: 2.0-5.0bar
Flux: 2.8-8.0m <sup>3</sup> /h
Range: 12-18m



QX190
Spec: G1/2"(MALE)
Nozzles dia: 4.0mm
Pressure: 1.0-3.5Bar
Flux: 0.95-1.50m <sup>3</sup> /h
Radius: 8-13m



QX191
Spec: G3/4"(Female)
Nozzles dia: 4.0mm
Pressure: 1.0-3.5Bar
Flux: 0.95-1.50m <sup>3</sup> /h
Radius: 8-13m



QX180
Spec: G3/4"(Female)
Nozzle Dia: 4.5/2.1mm
Press: 2.0-4.0Bar
Flux: 1.30-2.30m <sup>3</sup> /h
Range(r): 13-16m



QX181
Spec: G3/4 " Male
Nozzle Dia: 4.5/2.1mm
Press: 2.0-4.0Bar
Flux: 1.30-2.30m <sup>3</sup> /h
Range(r): 13-16m



QX182
Spec: G3/4" Female
Nozzle Dia: 4.5/2.1mm
Pressure: 2.0-4.5Bar
Flux: 1.30-2.30m <sup>3</sup> /h
Range(r): 13-16 m



QX183
Spec: G3/4" Female
Nozzle Dia: 4.5/1.5mm
Pressure: 1.5-3.5Bar
Flux: 1.15-2.0m <sup>3</sup> /h
Range(r): 10-13 m



QX192
Spec: G1/2" Full or part circle plastic impulse sprinkler
Pressure: 1.5-4.0bar
Range: 12-18m
Flux: 1.5-2.3m <sup>3</sup> /h



QX193
Spec: G1/2" Male
Nozzle Dia: 3.1mm
Pressure: 1.0-3.0Bar
Flux: 0.68-1.10 m <sup>3</sup> /h
Range(r): 6-12m



QX194
Spec: G1/2" Male
Nozzle Dia: 3.1mm
Pressure: 1.0-3.0Bar
Flux: 0.68-1.10 m <sup>3</sup> /h
Range(r): 6-12m



QX195
Spec: G1/2" Male
Nozzle Dia: 3.1mm
Pressure: 1.0-3.0Bar
Flux: 0.68-1.10 m <sup>3</sup> /h
Range(r): 6-12m



QX184
Spec: G1/2"(male)
Nozzle Dia: 4.0/1.5mm
Press: 1.5-3.5Bar
Flux: 1.15-1.90m <sup>3</sup> /H
Range(r): 10-13m



QX185
Spec: G1/2"(male)
Nozzle Dia: 4.0/1.5mm
Press: 1.5-3.5Bar
Flux: 1.15-1.90m <sup>3</sup> /H
Range(r): 10-13m



QX186
Spec: G1/2"(male)
Nozzle Dia: 4.0/1.5mm
Press: 1.5-3.5Bar
Flux: 1.15-1.90m <sup>3</sup> /H
Range(r): 10-13m



QX187
Spec: G3/4 " Male
Nozzle Dia: 4.5/2.1mm
Press: 2.0-3.0Bar
Flux: 1.50-2.30m <sup>3</sup> /h
Range(r): 13-16m



QX196
Spec: 1/2 " Male
Nozzle Dia: 4.0mm
Pressure: 1.5-3.5 Bar
Flux: 0.95-1.13 m <sup>3</sup> /h
BRASS & Zinc alloy



QX197
Spec: G1" Full circle plastic impulse sprinkler
Pressure: 2.0-5.0bar
Range: 12-20m
Flux: 4.5-12.5m <sup>3</sup> /h



QX198
Spec: G3/2" Full or part circle plastic impulse sprinkler
Pressure: 2.0-6.0bar
Range: 20-36m
Flux: 9.12-31.98m <sup>3</sup> /h



QX199
Spec: G1/2" Male
Nozzle Dia: 3.1mm
Pressure: 1.0-3.0 Bar
Flux: 0.68-1.10 m <sup>3</sup> /h
Range(r): 6-12m



### 3. SPRAY GUNS NOZZLE AND CONNECTOR

Item name	spray nozzle
Material	ABS+TPR
Patterns	cone jet line center soaker shower
Color	Green/orange/blue/black/red/customizable
Connector	European type/ American type
Working pressure	10 bar
Package details	Opp bags/Color box/Round box
Application	water flowers,plants, wash cars ,etc.
MOQ	1000 pcs
Sample	free, freight collect
Sample time	send out within 3 days, receive a week or so



### 3. PVC LAYFLAT HOSE

SIZE	3/4"-16"
Length:	100M, 50M, 30M
Thickness:	1mm to 3mm
Standard:	ISO9001:2008
Color:	Blue, Orange, Yellow, Red, etc
Working Pressure:	2-10bar
Working Temperature:	-5°C to +65°C
Features:	Durable, Light Weight with High Pressure
Transporting Medium:	Water, Oil, Liquid Fertilizer, Chemical Liquid



QX203

### 3. GREENHOUSE ACCESSORIES (STEEL LOCK AND STEEL SPRING)



**Galvanized steel & Aluminum profile/lock channel**

- Used for greenhouse film
- Long service life with anti-rust
- Sturdy and durable
- Anti-aging, light in weight
- Elegant appearance



Model	Thickness	Width	Length
QX201	0.7mm	30mm	4M
	0.8mm	30mm	4M
	0.9mm	30mm	4M
	1.0mm	30mm	4M
	1.2mm	30mm	4M
	1.6mm	33mm	4M



QX202

Item Description	Plastic coated	Normal dipping plastic coated	High-intensity dipping plastic coated
	wiggle wire	wiggle wire	wiggle wire
Diameter	2.3mm	2.5mm	2.7mm
length after Installed	2m	2m	2.2m
Sawtooth Depth	32mm	32mm	37mm
Hardened Stell	NO	NO	YES
Cover Plastic	nonsticking	sticking	super sticking
	easy to loose		ingrained
Life Time	2-3years	5years	above 10 years

### 3. GARDEN WATER TIMER



**QX204**  
MAGNETIC VALVE TYPE

Body: ABS  
Connector in Body: POM No Connect at both ends  
Transparent cover: GPPS



**QX205**  
BALL VALVE TYPE


Body: ABS  
Connector in Body: POM No Connect at both ends  
Transparent cover: GPPS

# ALUMINUM ALLOY AND PP CONNECTOR FOR LAYFLAT HOSE USE




**QX206** **TYPE A**  
Male Adapter X Female

Size (in.)	
1/2"	2-1/2"
3/4"	3"
1"	4"
1-1/4"	5"
1-1/2"	6"
2"	8"



**QX210** **TYPE B**  
Female Coupler X Male

Size (in.)	
1/2"	2-1/2"
3/4"	3"
1"	4"
1-1/4"	5"
1-1/2"	6"
2"	8"



**QX207** **TYPE C**  
Female Coupler X Hose Shank

Size (in.)	
1/2"	2-1/2"
3/4"	3"
1"	4"
1-1/4"	5"
1-1/2"	6"
2"	8"



**QX211** **TYPE D**  
Female Coupler X Female

Size (in.)	
1/2"	2-1/2"
3/4"	3"
1"	4"
1-1/4"	5"
1-1/2"	6"
2"	8"



**QX208** **TYPE E**  
Male Coupler X Hose Shank

Size (in.)	
1/2"	2-1/2"
3/4"	3"
1"	4"
1-1/4"	5"
1-1/2"	6"
2"	8"



**QX212** **TYPE F**  
Male Adapter X Male

Size (in.)	
1/2"	2-1/2"
3/4"	3"
1"	4"
1-1/4"	5"
1-1/2"	6"
2"	8"



**QX209** **TYPE DC**  
Dust Cap

Size (in.)	
1/2"	2-1/2"
3/4"	3"
1"	4"
1-1/4"	5"
1-1/2"	6"
2"	8"



**QX213** **TYPE DP**  
Dust Plug

Size (in.)	
1/2"	2-1/2"
3/4"	3"
1"	4"
1-1/4"	5"
1-1/2"	6"
2"	8"

# 3. SEED TRAY



**Material: PS**  
**Thickness: 0.8mm, 1.0mm, 1.1mm, 1.2mm**

QX214	QX215	QX216	QX217
21 CELL	28 CELL	32 CELL	32 CELL
Seed tray	Seed tray	Seed tray	Forest wood cell
Top and bottom size: 62*30mm	Top and bottom size: 62*30mm	Top and bottom size: 60*28mm	Top and bottom size: 60*20mm
depth: 65mm	depth: 65mm	depth: 55mm	depth: 120mm

QX218	QX219	QX220	QX221
50 CELL	50 CELL	72 CELL	98 CELL
Forest wood cell	Seed tray	Seed tray	Seed tray
Top and bottom size: 50*20mm	Top and bottom size: 48*25mm	Top and bottom size: 40*20mm	Top and bottom size: 32*17mm
depth: 85mm	depth: 45mm	depth: 45mm	depth: 40mm

QX222	QX223	QX224	QX225
105 CELL	128 CELL	200 CELL	162 CELL
Seed tray	Seed tray	Seed tray	Seed tray
Top and bottom size: 32*17mm	Top and bottom size: 30*16mm	Top and bottom size: 23*10mm	Top and bottom size: 26*12mm
depth: 35mm	depth: 40mm	depth: 42mm	depth: 43mm

QX226	QX227	QX228	QX229
200 CELL	105 CELL	128 CELL	288 CELL
Seed tray	Seed tray	Seed tray	Seed tray
Top and bottom size: 23*10mm	Top and bottom size: 32*19mm	Top and bottom size: 29*17mm	Top and bottom size: 19*8mm
depth: 43mm	depth: 60mm	depth: 49mm	depth: 37mm